

FAG

## 3310-BD-XL-TVH

Angular contact ball bearing

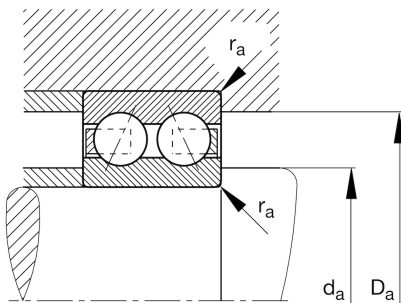
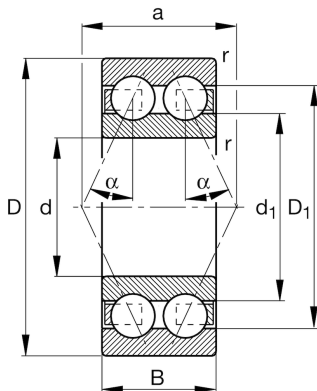
Schaeffler ID:  
0631849230000

Angular contact ball bearing 33..-BD-XL-TVH, double row, X-life, plastic cage



X-life

## Technical information



## Main Dimensions &amp; Performance Data

d	50 mm	Bore diameter
D	110 mm	Outside diameter
B	44.4 mm	Width
$C_r$	93,000 N	Basic dynamic load rating, radial
$C_{0r}$	70,000 N	Basic static load rating, radial
$C_{ur}$	4,850 N	Fatigue load limit, radial
$n_G$	6,500 1/min	Limiting speed
$n_{gr}$	6,300 1/min	Reference speed
	1.75 kg	Weight

## Mounting dimensions

$d_{a \min}$	61 mm	Minimum diameter shaft shoulder
$D_{a \max}$	99 mm	Maximum diameter of housing shoulder
$r_{a \max}$	2 mm	Maximum fillet radius

## Dimensions

$r_{\min}$	2 mm	Minimum chamfer dimension
$D_1$	93.3 mm	Shoulder diameter outer ring
$d_1$	71.5 mm	Shoulder diameter inner ring
a	64.2 mm	Distance between the apexes of the pressure cones
$\alpha$	30 °	Contact angle

## Temperature range

$T_{\min}$	-30 °C	Operating temperature min.
$T_{\max}$	120 °C	Operating temperature max.